



# Shockcraft Industrial Bearings

*Machinery Bearings from Small to Large*

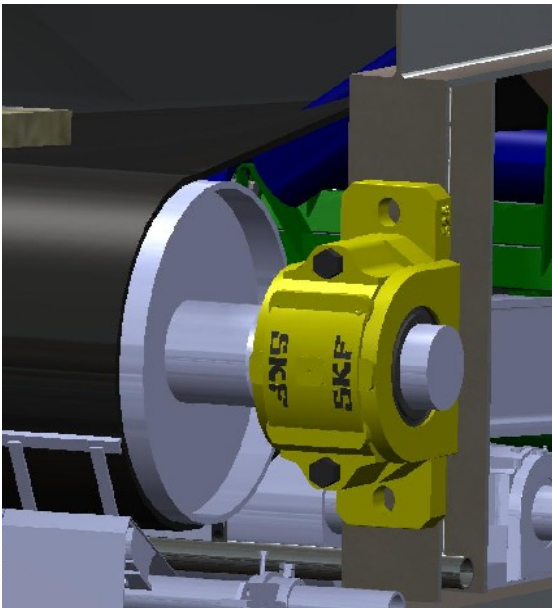
*Shockcraft is an industrial supplier offering bearings from SKF, seals from CR-Seals, bushings from IGUS and a wide range of industrial and horticultural motion control products*



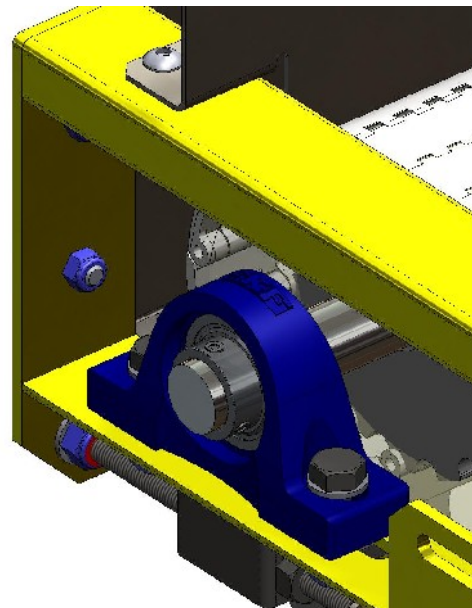
Our industrial bearings range from the same deep groove ball bearings used in bike applications through to the common inch bore spherical bearings (YAR205) found in everything from mowers to conveyors and the large 125mm bore bearings mounted in the 528 plummer block housing shown below.

We have access to a large range of bearings, seals and housings including stainless steel and even plastic ball bearings for specialised applications.

Whether your application is a park mower, wet conveyor quarrying or a new application, we can identify and supply bearings to suit.



SKF 528 plummer block with 125 mm bearings used in a mining conveyor.



SKF pillow block housing with YAR205, 1 inch bearings used in fruit sorting machinery.

Copyright ©2010 Signal Holdings Limited

v2 27/07/10



# shockcraft

sales@shockcraft.co.nz www.shockcraft.co.nz 021 155 3331