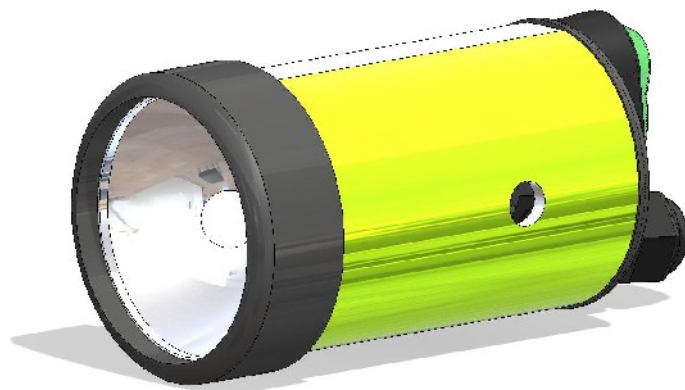


# shockcraft

## DIY Light Brackets

*Alternatives to Duck® Tape & V cans*

*Aluminium tube and caps to fit MR16 based lights.  
From supply of cut tube to complete housing, caps and brackets.*



Tube shown at 80mm with plastic cap and end plug.  
Fitted with 12mm cable gland and illuminated switch.

Two style brackets will be available for these tube lights. A universal handlebar bracket and a universal helmet bracket. Both will mount the tube using a single through bolt, the hole is shown in the picture above.



Status: Almost ready for production.

# shockcraft

This is the only picture you're going to get right now, the prototype is still in raw aluminium. Likewise for the universal helmet mount below.



Status: Being prototyped

## Helmet-Bar Mount

This universal helmet mount will let you fit most bar mounted lights straight onto your helmet. The popular DX light with it's bar mount is the primary driver behind it's design.



Status: Being prototyped